

Easy Series Trench Drains Installation Guide



scan for video

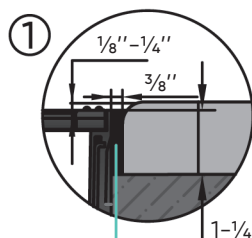
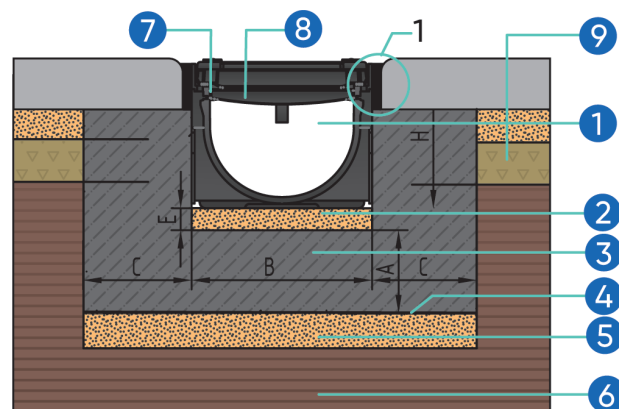
Easy Series Versions

Easy 1	3-inch inner width and 3.5-inch height
Easy 2	4-inch inner width and 2.8-inch height
Easy 3	4-inch inner width and 3.8-inch height

- Snap & Lock End Cap
- Snap & Lock Bottom Outlet



Installation scheme



1. Plastic Channel
2. Base Course $h = \frac{3}{4}'' - 1 - \frac{1}{4}''$
3. Concrete encasement
4. Vapour seal foil
5. Bedding layer $h = 4''$
6. Soil
7. Expansion/crack control joint
8. Grating
9. Pavement design

PU sealant $1 - \frac{1}{4}'' \times \frac{3}{8}''$

Component Identification:

Item	Description
1	Plastic channel
2	Grate
3	Bottom Outlet
4	End Cap w/ outlet
5	Closed End Cap
6	Inline sand trap (optional)
7	Debris Basket

Channel Connections

Vodaland's plastic Easy channels are designed with universal purpose in mind. They feature many connection options to allow for a fully customizable system. All Easy channels feature these connection options:

- 90-Degree Cut-Out Options on Both Sides of Channel
- Can Connect to our Standard Catch Basins with the Use of Adapters for Easy 2 and Easy 3
- Snap & Lock Connections Channel-To-Channel

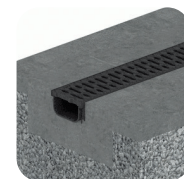
Installation

Concrete:

1 Cut your trench approximately 3"-4" wider and deeper than your channel size. This allows for easy concrete pour after setting up your channel. Line up your piping, which will connect to the trench drain outlets.

2 Pour the base layer of concrete and make sure it is level. Let cure for 2 days.

3 Connect all channels, angles, end caps to your system. Connect the already placed piping to your outlet on the channels. We recommend Vodaland silicone or a water-resistant sealant in between channels and the pipe outlet connection to prevent any risk of leaks.



4 Weigh down your system, (you can place sandbags, large bricks, and so on). This is to make sure the channel does not move during final concrete pour and/or settling when concrete expands.

5 Pour side encasing concrete and let set for 24 hours.

Ground:

1 Prep the site and trench.

2 Place leveling sand (preferred) at the bottom of the trench.

3 Connect outlet piping to your system.

4 Lay the channels in trench, connecting units as you go along, including end caps and 90 degree turns. We recommend Vodaland silicone or a water-resistant sealant in between channels and the pipe outlet connection to prevent any risk of leaks.

5 Fill to surface with sand or soil to encase the channels. Weigh down your system to prevent the channel from moving.



FAQ's

Can I drive over the Easy trench drains?

Short answer is no – Easy system is A load class rated. That is 3,300 lbs. The common misconception of that load, is what channels can handle. That load is rated for the ENTIRE system, not at any one point. A class, means pedestrian use only. However, if you are outlining your driveway, and nothing is going directly over it, then no problem.

Can I cut these channels?

Yes, you can, however after you make the cut, you will have to seal off or silicone the connection.

How do I connect my outlet pipe?

All pipes are not rated the same, just as they are not sized the same. However, the basis of design will work for all sizes. If you find that your PVC or corrugated piping is a little too large, or a little too small – just use a rubber coupling with hose clamps. They create a nice snug fit and provide water proofing during your installation.

What color options are available?

- Easy 1 comes in black plastic and galvanized stamped steel grate.
- Easy 2 comes in black plastic, green plastic, grey plastic, cast iron grate and galvanized stamped steel grate.
- Easy 3 comes in black plastic and galvanized stamped steel grate.

Vodaland fully stands behind each and every one of our products. We always urge our customers to email or call us with any questions. If you ever have any issues or concerns, we would like to hear them, please send us an email at info@vodaland.ca

Thank you again for your business!

Please note: All the specifications, drawings, and installation schemes can be found and downloaded on our website. Go to the product page and you'll find tabs for all these options at the bottom of the page. Installation videos can also be found on YouTube at: [Vodaland Canada](#).

Contact us:

+1 (905) 238-1771

info@vodaland.ca

www.vodaland.ca

[YouTube: Vodaland Canada](#)

