

8370.2

Primary Usage

Reference No.

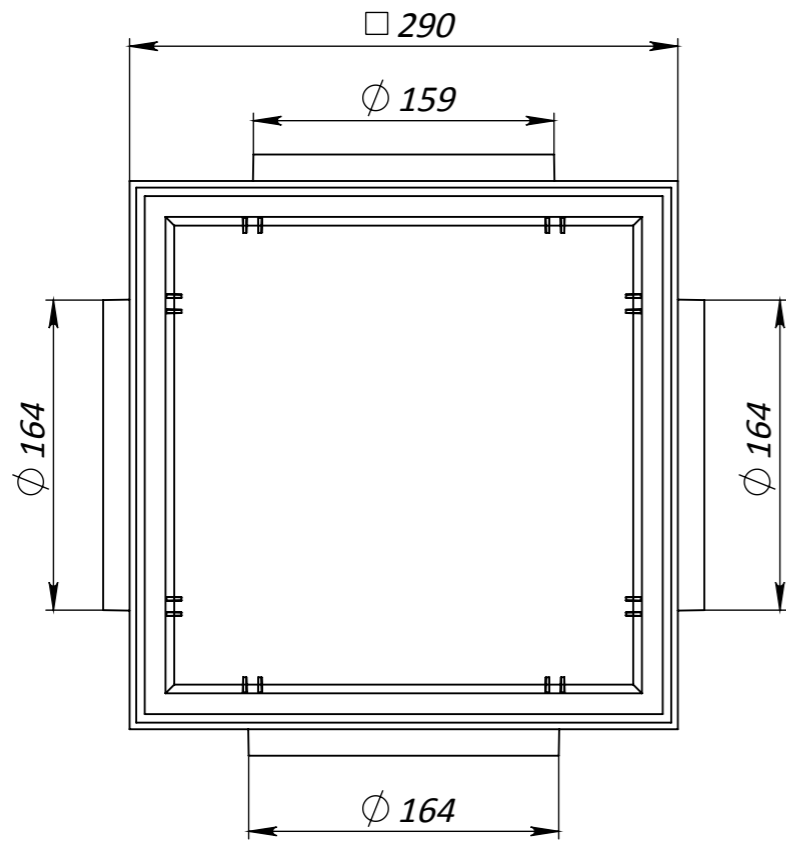
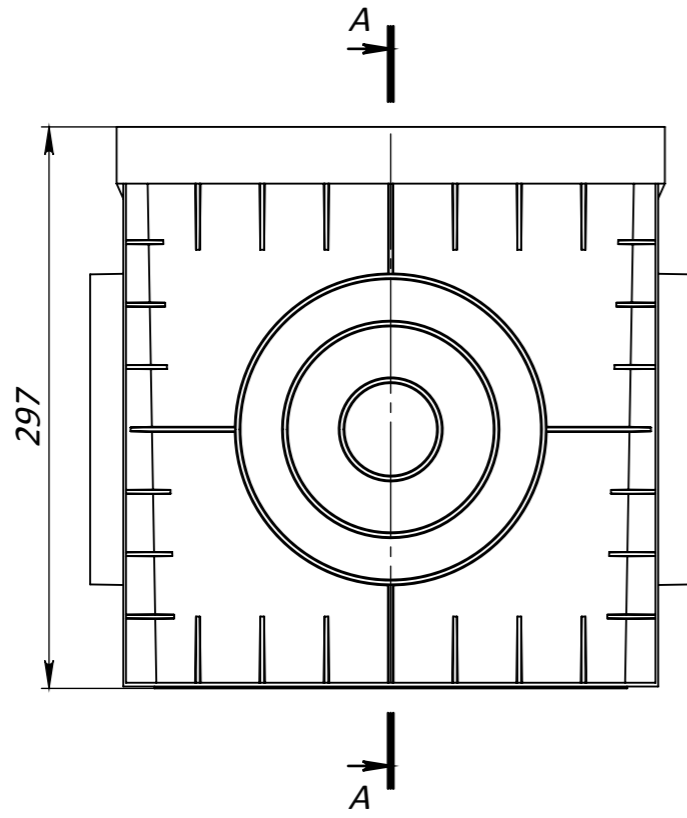
Sign. and date

Copy inv. No.

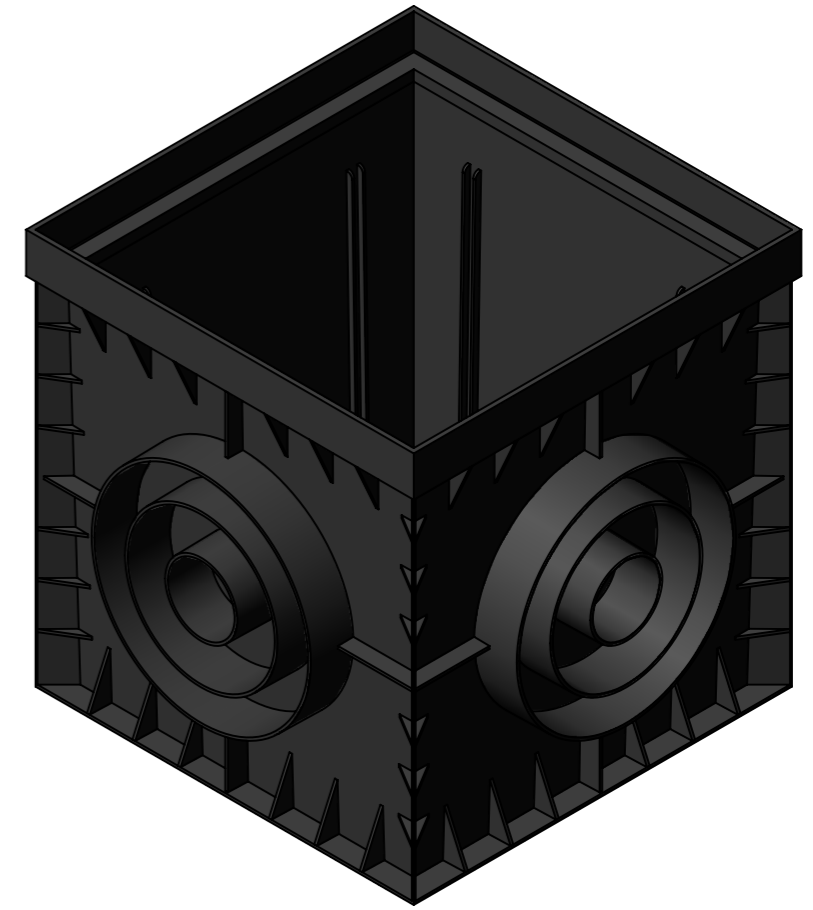
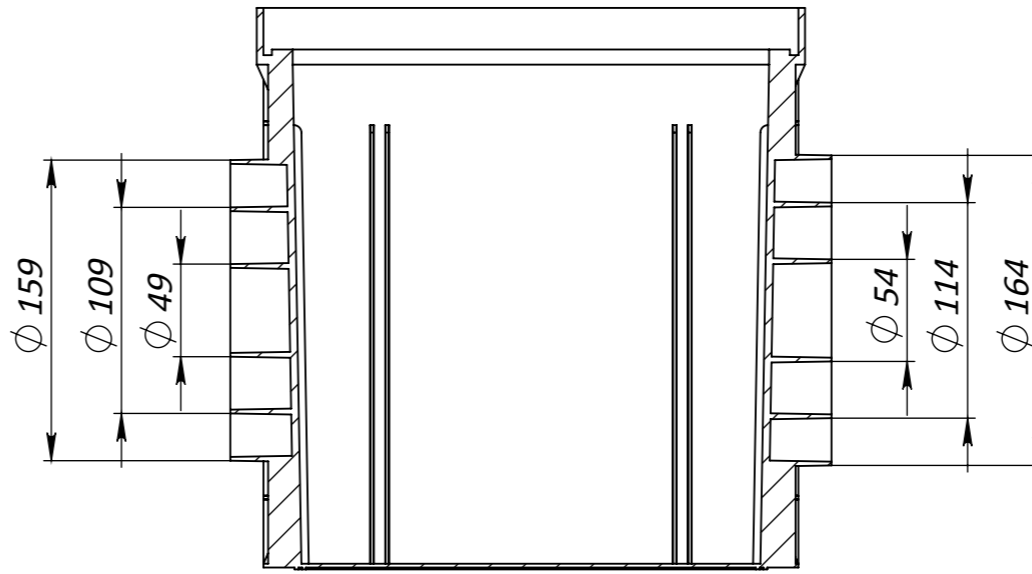
Repl. Inv. No.

Sign. and date

Orig. Inv. No.



SECTION A-A



									Art. 8370.2-CH	
									<b>8370.2</b>	
								Let.	Waga	Skala
									1.8	1:4
								Strona	Strony 1	
								Plastik		
								