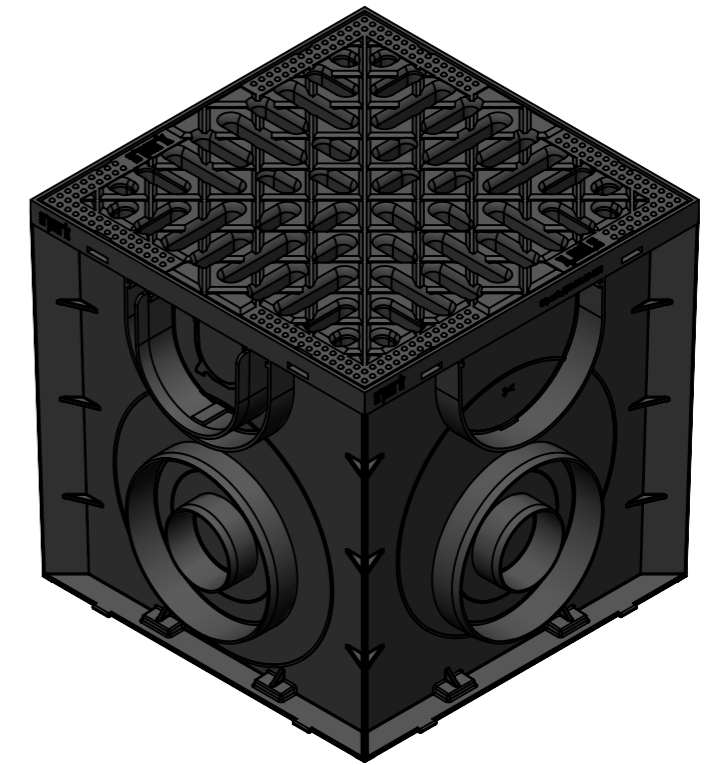
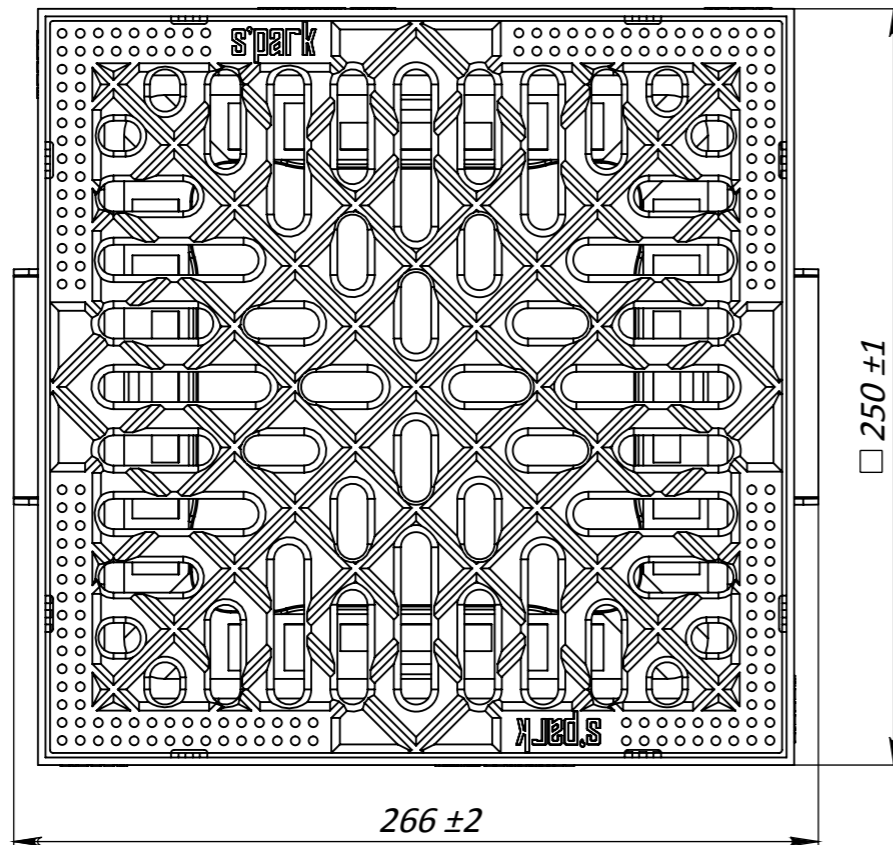
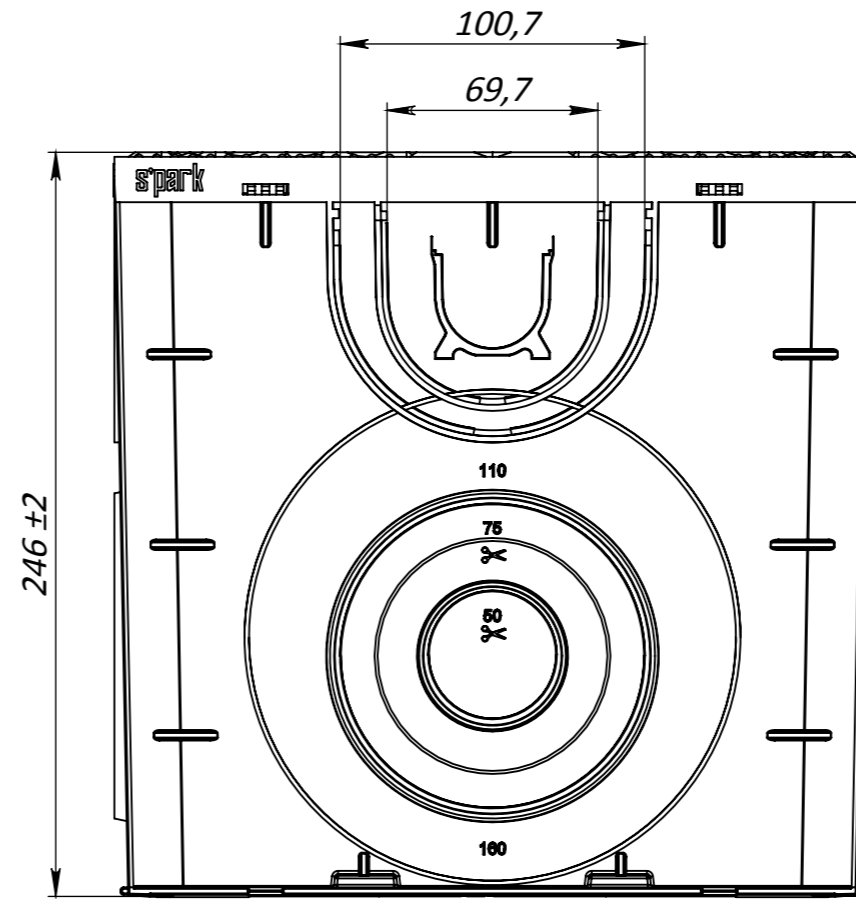
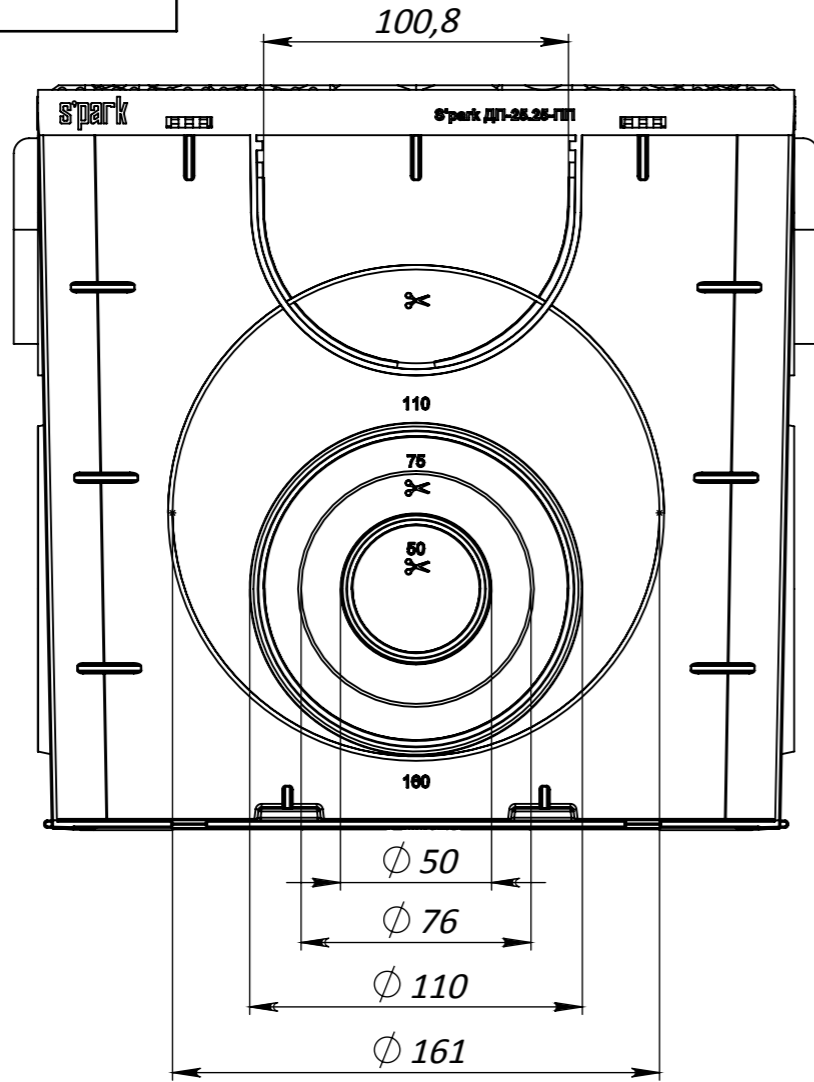


DP-25.25-PP - 0867081



Primary Usage

Reference No.

Sign. and date

Copy inv. No.

Repl. Inv. No.

Sign. and date

Orig. Inv. No.

				Art.	0867081	
				<b>DP-25.25-PP - 0867081</b>		
				Let.	Waga	Skala
					1.23	1:2.5
				Strona Strony 1		
				Plastik		
				